



PROJECT		REF		REV	ITEM CODE	
LOCATION		DATE			PAGE	

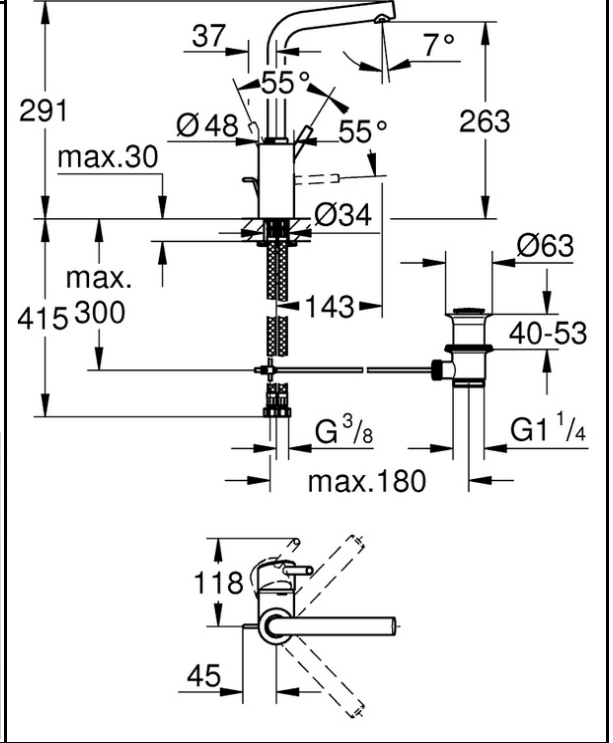
SANITARY WARE SPECIFICATION SHEET

Item Descriptions	GROHE (Germany) "Concetto" Single-lever basin mixer 1/2" L-Size
Dimensions	L143 x W118 x H291 mm
Model	23739002
Finish	Chrome Plated
Country of origin	Thailand
Manufacturer	GROHE AG
Supplier	Acme Sanitary Ware Co. Ltd Mr. Eric Wong/ Mr. Don Yuen
Contact Tel/Fax	(852) 2388-7171 / (852) 2710-8012
E-mail	acme@acmesanitary.com.hk
Website	www.acmesanitary.com.hk

Illustration/ Drawing

"Concetto"
Single-lever basin mixer 1/2" L-Size

- monobloc installation
- metal lever
- **GROHE SilkMove** 35 mm ceramic cartridge
- adjustable flow rate limiter
- **GROHE StarLight** chrome finish
- **GROHE EcoJoy** mousseur 5.7 l/min
- **GROHE QuickFix** installation system
- swivel tubular spout
- with stop restriction
- pop-up waste set 1 1/4"
- flexible connection hoses
- optional temperature limiter (46 375 000)
- **min. recommended pressure 1 bar**



Note:

* All information of the above is for the reference only. No prior notice is made if any changes.



Acme Sanitary Ware Co Ltd

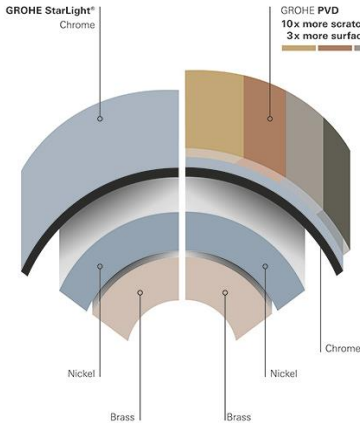
Acme Building, 22-28 Nanking Street, Kowloon, Hong Kong
Tel: 2388 7171 Fax: 2710 8012
E-mail: acme@acmesanitary.com.hk
Website: www.acmesanitaryware.com.hk



Pure Freude
an Wasser

PROJECT		REF		REV	ITEM CODE	
LOCATION		DATE			PAGE	

SANITARY WARE SPECIFICATION SHEET



GROHE surface hardness



Chrome PVD

GROHE scratch resistance



Chrome PVD



GROHE SilkMove cartridge technology for smooth handling

This premium tap comes with a continuously variable water temperature and volume adjustment technology, ensuring effortless lever operation even after years of use.



Easy to clean thanks to the GROHE StarLight chrome coating

Just wipe the tap down with a dry cloth – the ultra smooth surface finish is scratch resistant and ensures a lasting luminous sheen. You'll save plenty of time cleaning while your tap always looks shiny and new.



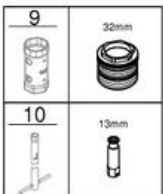
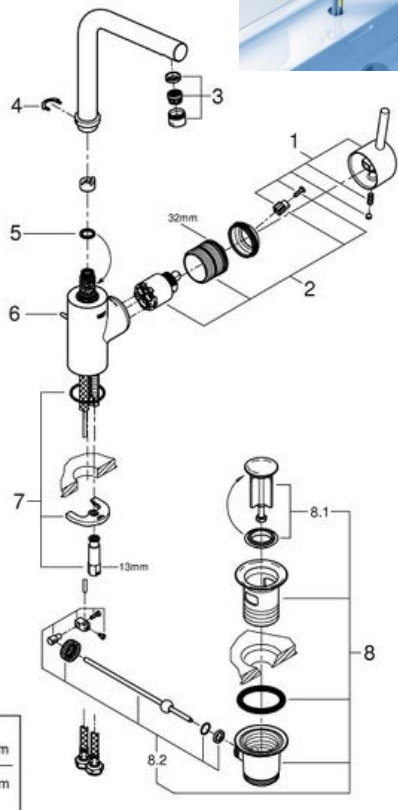
GROHE EcoJoy with water-saving function for reduced consumption

GROHE EcoJoy reduces water consumption by up to 50% without compromising on performance. Whenever you turn on your tap, you will enjoy a full jet of water while saving money nonetheless.



GROHE QuickFix Plus quick and easy installation in a few simple steps

Save time on the installation of your tap with GROHE QuickFix Plus. Consisting of fewer parts, our new system makes the installation process quicker and easier than ever.



8.2	180mm
11	350mm

Pos.-nr.	Prod. description	Order-nr.
1	Lever	46754000
2	Cartridge	46374000
3	Mousseur	64196000
4	locking washer	48420000
5	Sealing washer Ø 13.5 x Ø 2.75	0128500M
6	Pop-up rod	46739000
7	Shank fastening assembly	46671000
8	Waste set 1 1/4"	28910000
8.1	Plug for waste set 1 1/4"	07182000
8.2	Eccentric rod	07052000
9	Socket spanner	19332000*
10	Mounting wrench	19017000*
11	Ball rod	07341000*

* Optional accessories

Note:

* All information of the above is for the reference only. No prior notice is made if any changes.